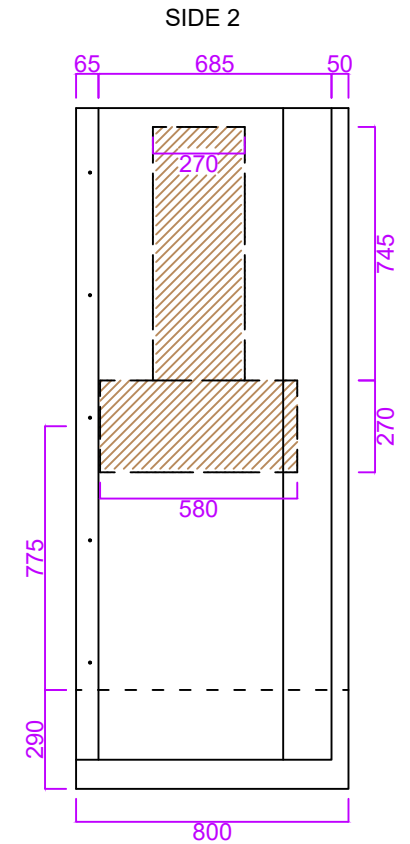
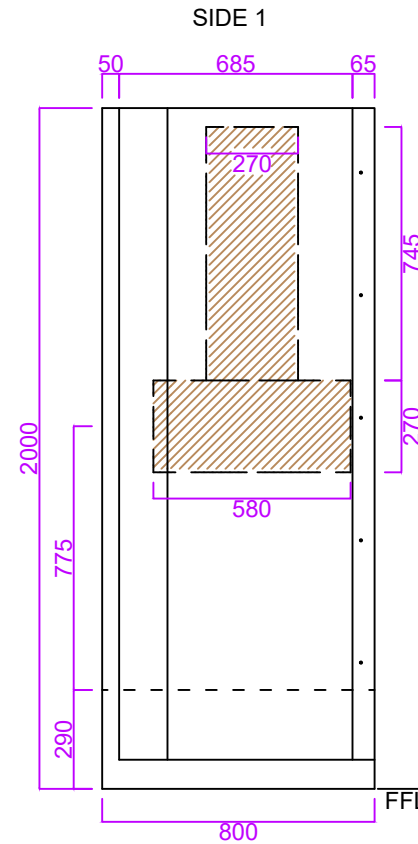
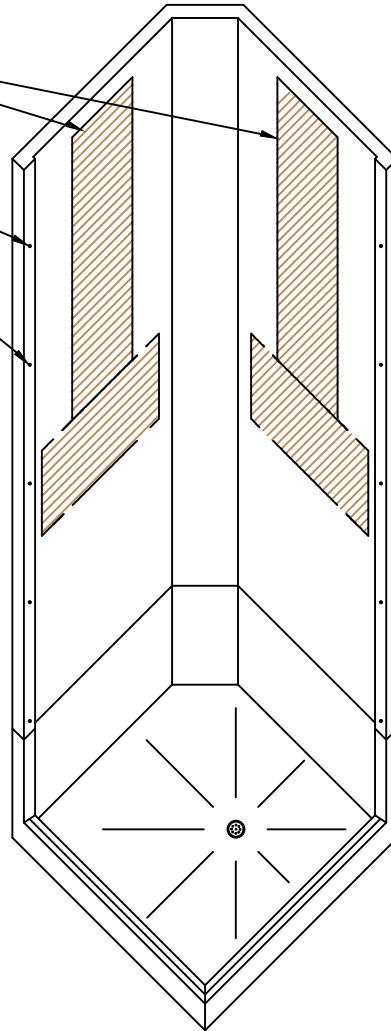
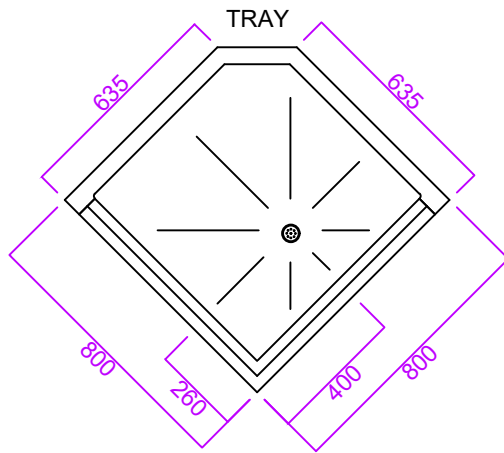
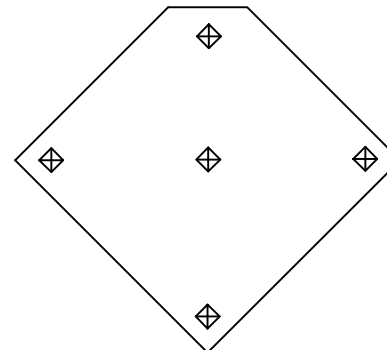


# Eclipse 800 Corner Entry

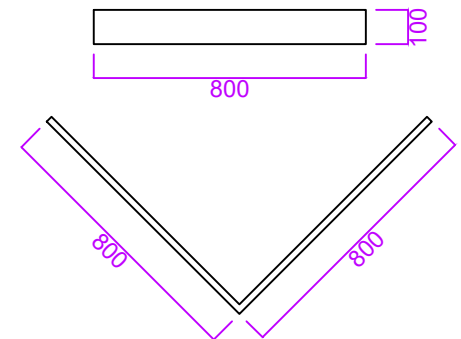
- Reinforced to accept mixer and riser rail.
- Pre-drilled for fixing.
- White gel coat finish.
- Supplied with adjustable leg kit (90-130mm).
- Supplied with 14No. M5x25mm fixing bolts and nuts.
- 50mm waste and trap as standard.



LEG POSITIONING



PLINTH DETAIL



Product Name: Eclipse Corner 800
Product Code: E8CE
Configuration: Two piece / Sectional
Material / Colour: GRP / White
Door Type / Finish: Corner / Chrome